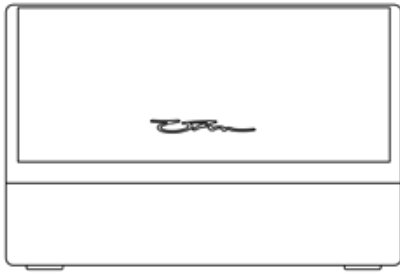




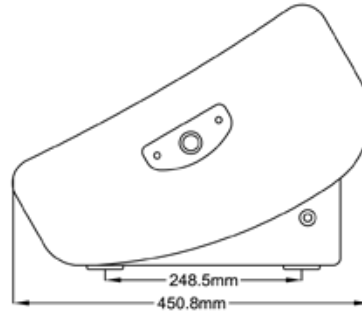
## HD Series / HD-MX12

	Full Range	HF	LF
Design	Floor Monitor, Reflex Tuning		
Impedance	8 Ohm	16 Ohm	8 ohm
Power Handling (AES)	500 Watts	80 Watts	500 Watts
Maximum Power Handling (AES)	1000 Watts (program) 2000 Watts (peak 10 ms)	160 Watts (program) 320 Watts, (peak 10 ms)	1000 Watts (program) 2000 Watts, (peak 10 ms)
Sensitivity 2.83V / 1m	98 dB	105 dB	98 dB
Maximum SPL	125 dB (cont. max SPL / 1m) 131 dB peak		
Frequency Response -3 dB	70 Hz - 20 kHz		
Dispersion	60° conical		
<b>SYSTEM OPERATION</b>			
Recommended Amplification	500 - 1000 Watts		
System Controller	Ohm DSP Solutions		
Speaker Cables	Min 2 x 2.5 mm <sup>2</sup> , Preferred 2 x 4 mm <sup>2</sup>		
<b>PRODUCT FEATURES</b>			
Components	1 x Coaxial 1" + 10" Driver	1 x Coaxial 1"	10" Driver
Crossover	1.3 kHz	HPF - 1.5 kHz	HPF - 70 Hz LPF - 1.5 kHz
Connectors	2 x 4 pole Speakon Connectors		
Dimensions (H x W x D)	334 mm x 500 mm x 451mm		
Weight (kg)	20		
Shipping Weight (kg)	21 (1 cabinet per carton)		
Colour	Black		
Options	Available in white or Ral colours on request		
Rigging	Mounting points on sides for the wall mount cradle 2 x flying points on rear		
<b>HARDWARE</b>			
Fitted as standard	CFPK Hanging Point		
Optional	MC-12 wall mount cradle MY-12 Hanging Cradle CFEK Flying Eye		
Additional Descriptive Data	Birch plywood construction, with durable scratch resistant black textured paint finish, kick-proof concaved steel grill with stainless steel Ohm logo.		

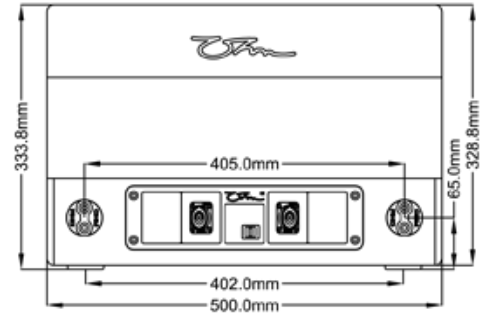
FRONT



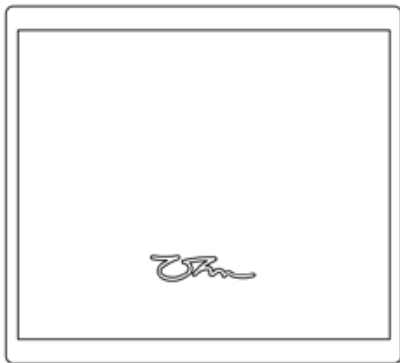
SIDE



BACK



TOP



BOTTOM

