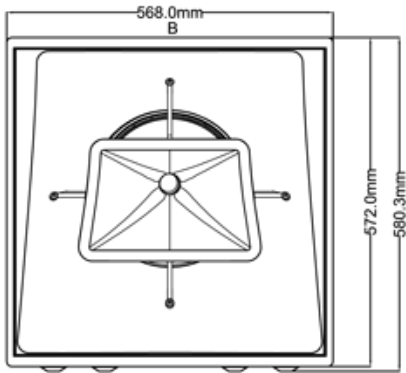




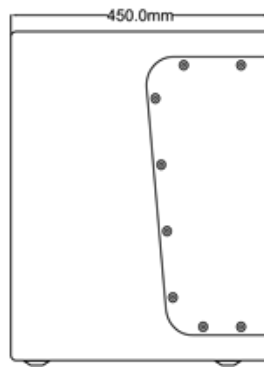
TRS Series / TRS-112HN

	HF	Mid
Design	Horn loaded mid-high	
Impedance	16 Ohm	8 Ohm
Power Handling (AES)	80 Watts (continuous)	500 Watts (continuous)
Maximum Power Handling (AES)	160 Watts (program) 320 Watts (peak 10 ms)	1000 Watts (program) 2000 Watts (peak 10 ms)
Sensitivity 2.83V / 1m	108 dB	102 dB
Maximum SPL	127 dB (cont. max SPL / 1m) 133 dB peak	129 dB (cont. max SPL / 1m) 135 dB peak
Frequency Response - 3dB	125 Hz - 20 kHz	
Dispersion	Horizontal 30° to 40° x Vertical +5° to -25°	
SYSTEM OPERATION		
Recommended Amplification	80-160 Watts	500-1000Watts
System Controller	Ohm DSP Solutions Mandatory	
Speaker Cables	Min 2 x 2.5 mm ² , Preferred 2 x 4 mm ²	
PRODUCT FEATURES		
Components	1 x 1.4" Horn loaded Compression Driver in coaxial arrangement	1 x 12" Horn Loaded Low Frequency Driver
Crossover	Active	
LPF	-	120 hz
HPF	1.5 kHz	1.3 kHz
Connectors	2 x 4 pole Speakon Connectors	
Dimensions (H x W x D)	580.3 mm x 568 mm x 450 mm	
Weight (kg)	xx	
Shipping Weight (kg)	00.0 (1 cabinet per carton)	
Colour	Black	
Options	Available in white or Ral colours on request	
Rigging	5 flying tracks mounted 2 on the top, 2 on the bottom and one on the rear	
HARDWARE		
Fitted as standard	Flying Track	
Optional	CFEK	
Additional Descriptive Data	Birch plywood construction, with durable scratch resistant black textured paint finish, kick-proof steel grill with stainless steel Ohm logo.	

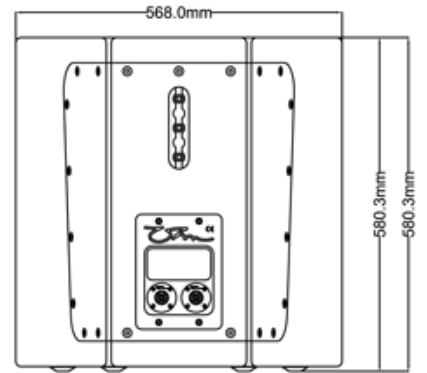
Front



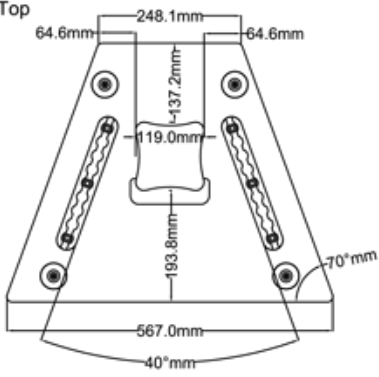
Side



Back



Top



Bottom

