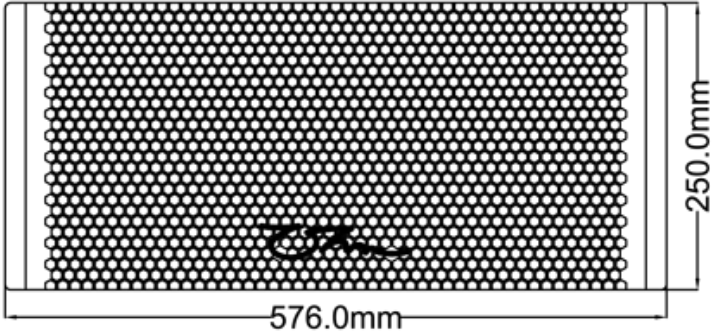




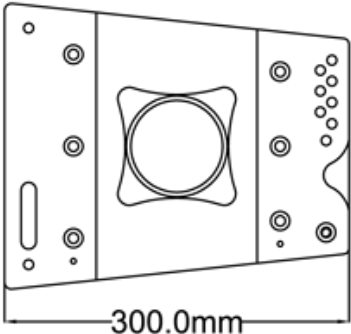
VELA LINE-ARRAY

	HF	LF
Design	2 way mid-high cabinet	
Impedance	32 Ohm,	32 Ohm,
Power Handling (AES)	100 Watts (continuous)	400 Watts (continuous)
Maximum Power Handling (AES)	200 Watts (program) 400 Watts (peak 10 ms)	800 Watts (program) 1600 Watts (peak 10 ms)
Sensitivity 5.65V (1W to 32 ohms)	110 dB	96 dB
Maximum SPL	130 dB (cont. max SPL / 1m) 136 dB peak	122 dB (cont. max SPL / 1m) 128 dB peak
Frequency Response - 3 dB	55 Hz - 20 kHz	
Dispersion	Horizontal 100° x Vertical dependant on array design	
SYSTEM OPERATION		
Recommended Amplification	100 - 200 Watts	400 - 800 Watts
System Controller	Ohm DSP Solutions Mandatory	
Speaker Cables	Min 2 x 2.5 mm ² , Preferred 2 x 4 mm ²	
PRODUCT FEATURES		
Components	2 x 1" Compression Driver	2 x 8" Low Frequency Drivers
Crossover	-	-
LPF	-	1.2 kHz
HPF	1.3 kHz	55 Hz (full range) 100 Hz (as a mid high)
Connectors	2 x 4 pole Speakon Connectors	
Dimensions (W x H x D)	576 mm x 250mm x 300 mm	
Weight (kg)	23.1	
Shipping Weight (kg)	25 (1 cabinet per carton)	
Colour	Black	
Options	Available in white or Ral colours on request	
Rigging	Integrated flying system	
HARDWARE		
Fitted as standard	Integrated Flying system	
Optional	-	
Additional Descriptive Data	Birch plywood construction, with durable scratch resistant black textured paint finish, kick-proof steel grill and black foam with stainless steel Ohm logo.	

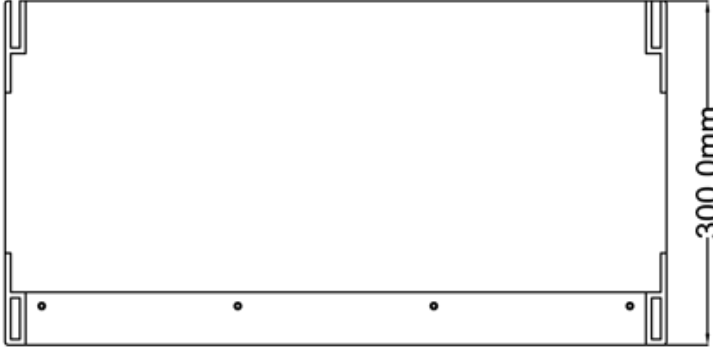
Front



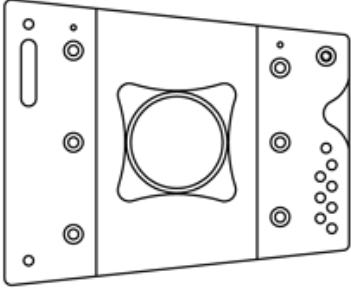
Right Side



Top



Left Side



Rear

